

**PF1500 Series**

# **High-Efficiency Toilet**



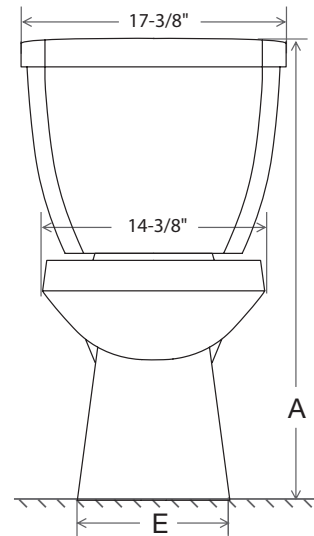
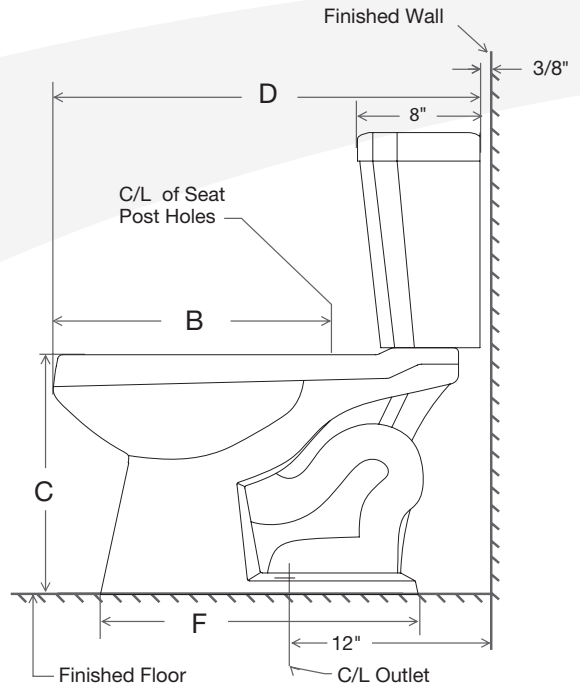
## **PRODUCT FEATURES**

- 1.28 GPF HET, High Efficiency Toilet
- Gravity fed, jetted box rim
- 2-1/8" fully glazed trapway
- High performance 3" flush valve
- 9" x 7" water surface
- Close coupled tank with cover
- Quick connect, 2 bolt tank to bowl installation
- Standard chrome trip lever
- Available round front, elongated and ADA
- Seat and supply not included
- Anti-siphon fill valve
- Sanitary Bar on all bowls
- Uses 20% less water than standard low consumption toilets



PF1500 Series

# High-Efficiency Toilet



- PF1500WH** Round Front HET Bowl, White
- PF1501WH** Elongated HET Bowl, White
- PF1503WH** ADA Height HET Bowl, White
- PF6112WH** 1.28 HET Tank w/ 12" RI for PF1500 series
- PF6110WH** 1.28 HET Tank w/ 10" RI for PF1500 series
- PF6114WH** 1.28 HET Tank w/ 14" RI for PF1500 series
- PF6112RWH** 1.28 RH Tank w/ 12" RI for PF1500 series

## CODES AND STANDARDS

- ADA (PF1503WH)
- IAPMO/cUPC
- ASME A112.19.2 / CSA B45.1-2008
- EPA WaterSense Certified
- MaP tested 1000g
- LEED Compliant

	RF	EL	ADA
	PF1500WH	PF1501WH	PF1503WH
A	30"	30"	31-1/2"
B	16-1/2"	18-1/2"	18-1/2"
C	15-1/2"	15-1/2"	17"
D	27-5/8"	29"	29-1/4"
E	10"	9-7/8"	10"
F	20-5/8"	21-3/8"	21"

## WARRANTY AND CODES

This product comes complete with installation, operating, care and maintenance instructions. All PROFLO fixtures carry a 1- year limited warranty. This product meets or exceeds ASME/ANSI A112.19.2M. In an effort to continually improve our products, we will make design changes from time to time. We reserve the right to ship newly designed product to fill any order unless we agree in writing to do otherwise.

